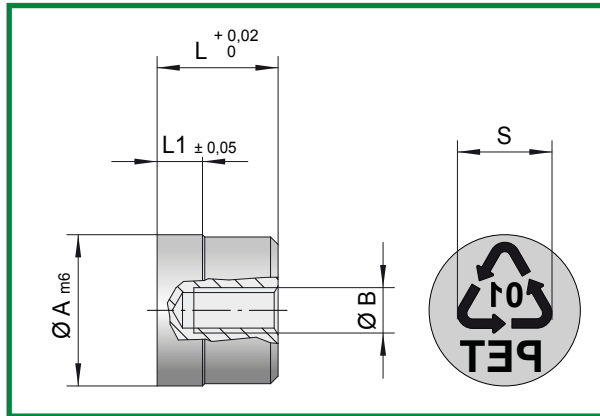
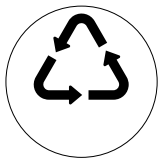


STANDARD MODEL



CODE	A	B	L	L1	S
IR-5	5	M3	10	4	3
IR-6	6	M4	10	4	4
IR-8	8	M4	10	4	5
IR-10	10	M5	12	4	6
IR-12	12	M6	14	4	8
IR-16	16	M6	14	4	10
IR-20	20	M6	16	4	12

Mat.: AISI 420B
Hardness: 50±5 HRC



01



02



03



04



05



06

Upon request we realize special marking (laser engraving).

ORDER EXAMPLE: IR-6PET