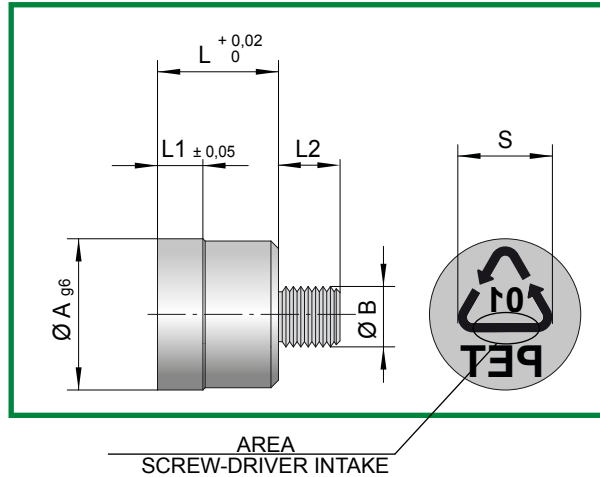


MODEL FOR FRONT FIXING

WITH SYSTEM FOR FIGURE ORIENTATION



CODE	A	B	L	L1	L2	S
IRA-10	10	M6	12	4	7	6
IRA-12	12	M6	14	4	7	8
IRA-16	16	M6	14	4	7	10
IRA-20	20	M6	16	4	7	12

Mat.: AISI 420B
Hardness: 50+55 HRC



Upon request we realize special marking
(laser engraving)

ORDER EXAMPLE: IRA-6PET

APPLICATION PROCESS

1. Build the seat according to the drawing.
2. Fit the insert assembled in to the mould screwing it with a screw-driver and verifying the phase-displacement as in the picture.
3. Take "A" away from the seat, unscrew "C" replace "B", screw "C" and assembly again.

