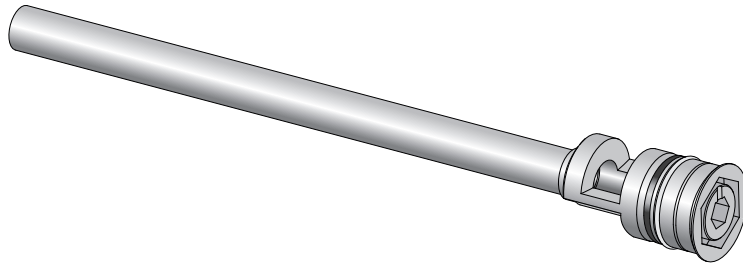
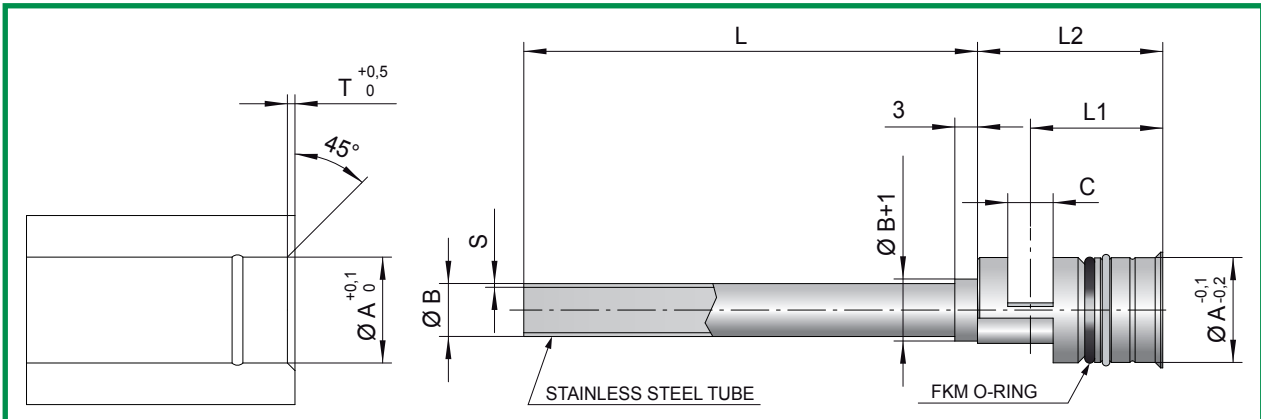


BUBBLES

RAPID PLUG AND UNPLUG SYSTEM (PATENTED SYSTEM)

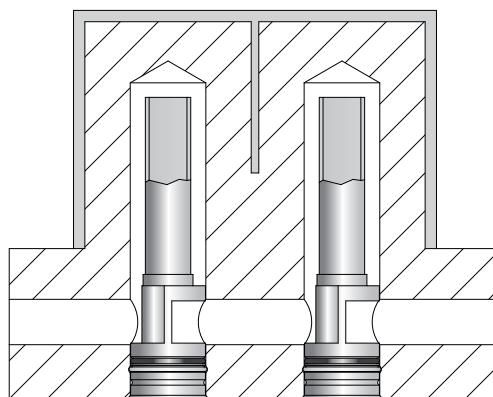


CODE: **RF-..F**



CODE	A	T	B				S	C	L1	L2	L			
RF-6F	8	1	2		3		0,25	4	12,5	17,5	150	300	450	600
RF-8F	8	1	2	3	4		0,25	4	13,5	18	150	300	450	600
RF-10F	10	1	2,5	3	4	5	0,25	5	16	22,5	150	300	450	600
RF-12F	12	1	6				0,5	5	17	24	150	300	450	600
RF-14F	14	1	7				0,5	6	17,5	24,5	150	300	450	600
RF-16F	16	1,2	8				0,5	8	19	27,5	150	300	450	600
RF-20F	20	1,2	12				1	10	20	29,5	150	300	450	600
RF-25F	25	1,2	15				1	12	22,5	33,5	150	300	450	600

Order example: RF-8Fx150/2I



CHARACTERISTICS

- 1) RAPID MACHINING OF THE HOUSING;
- 2) RAPID FITTING AND REMOVING;
- 3) PLACEMENT VERSATILITY (due to the shape of the inlet and outlet liquid discharges);
- 4) SECURE SEAL IS MAINTAINED EVEN UNDER HIGH PRESSURE CONDITIONS (~100 BAR).

ERMANN BALZI