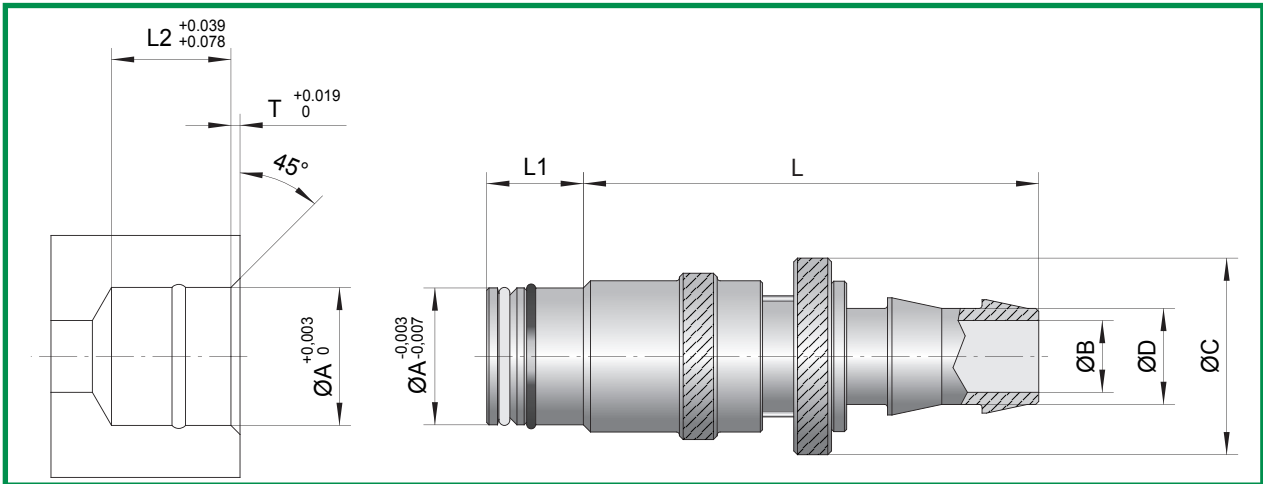
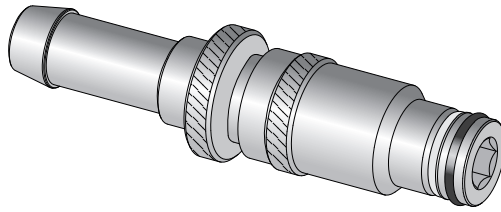


RAPID CONNECTOR

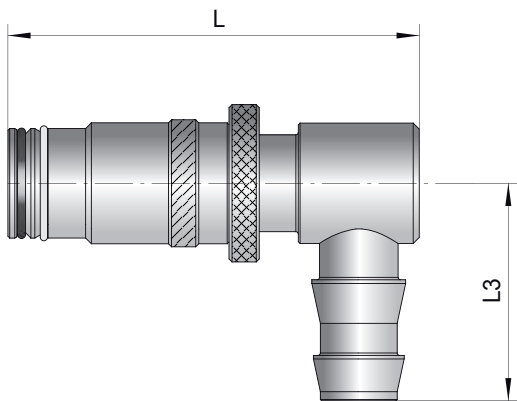
RAPID PLUG AND UNPLUG SYSTEM (PATENTED SYSTEM)



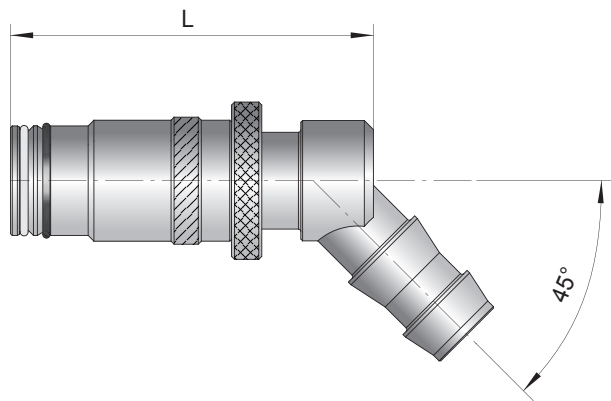
CODE: **AR-..**

CODE	A	B	C	D	T	L	L1	L2
AR-23/32	.718	.366	1.023	.500	.047	2.370	.503	.629

Order example: AR-23/32



CODE	L	L3
AR-23/32-90	2.169	1.417



CODE	L
AR-23/32-45	1.854