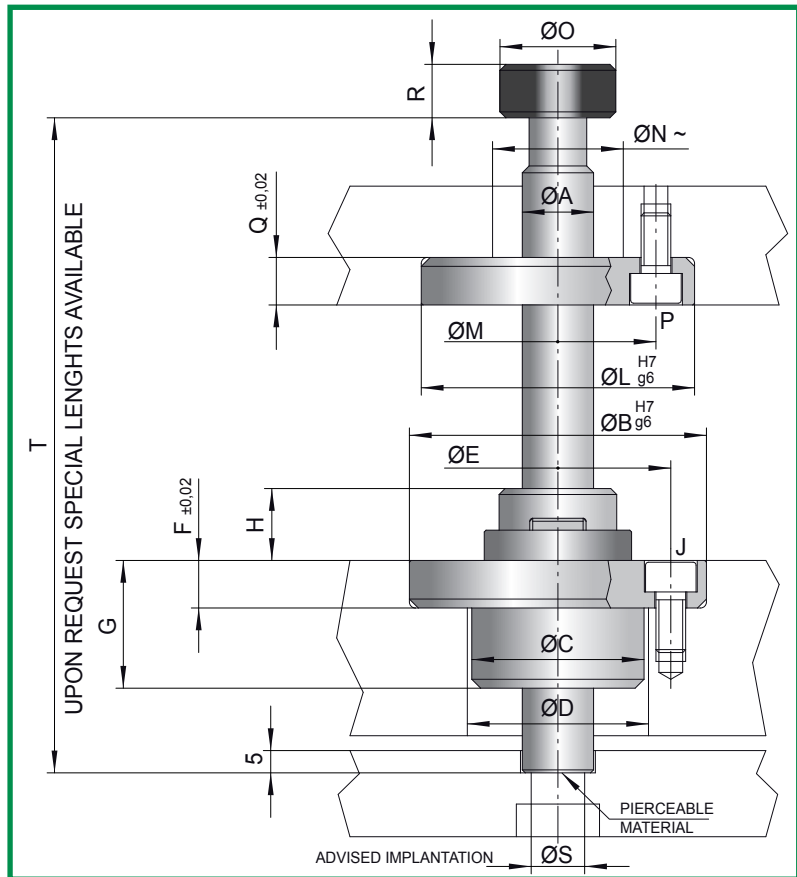
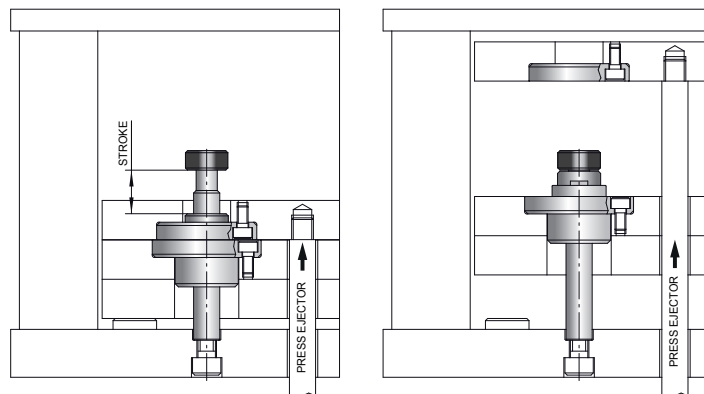


CODE: **AS**



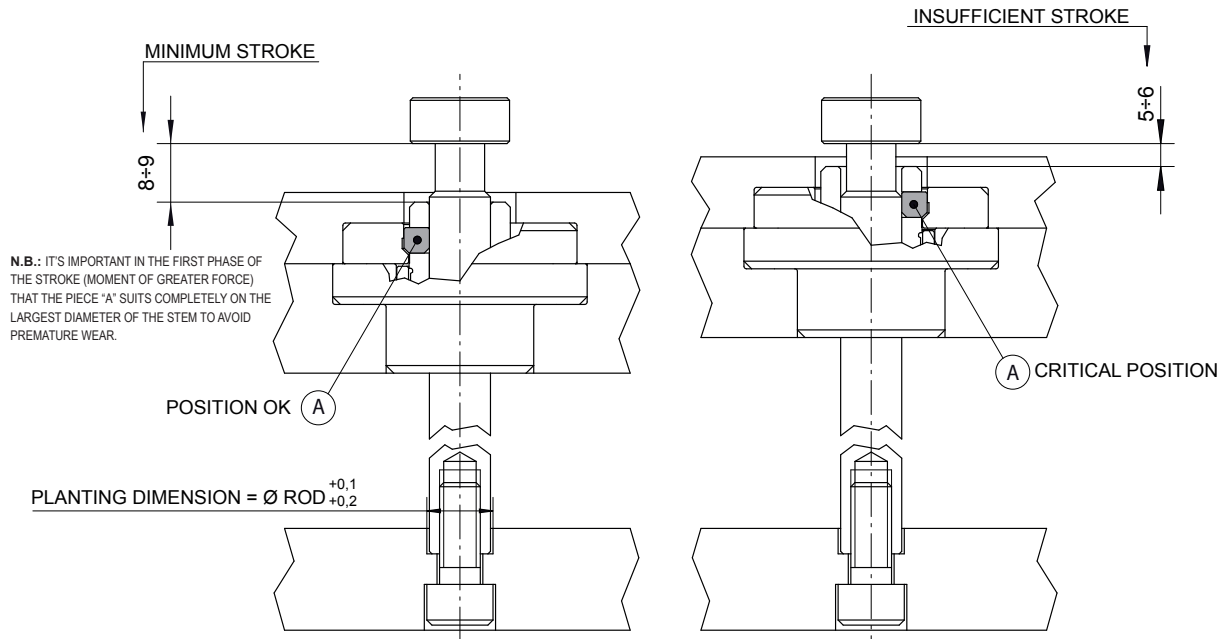
CODE	A	B	C	D	E	F	G	H	J	L	M	N	O	P	Q	R	S	T
AS-12L	12	50	29	29,5	38	8	21,5	12	M5-n°4	46	33	22	19,5	M5-n°4	8	9	M8	200
AS-16L	16	70	41	41,5	52	13	28	17	M8-n°4	70	52	33	29	M8-n°4	13	12	M10	200
AS-32	32	125	82	82,5	101	25	50	38,5	M10-n°6	125	101	65	45	M10-n°6	25	29	M16	500



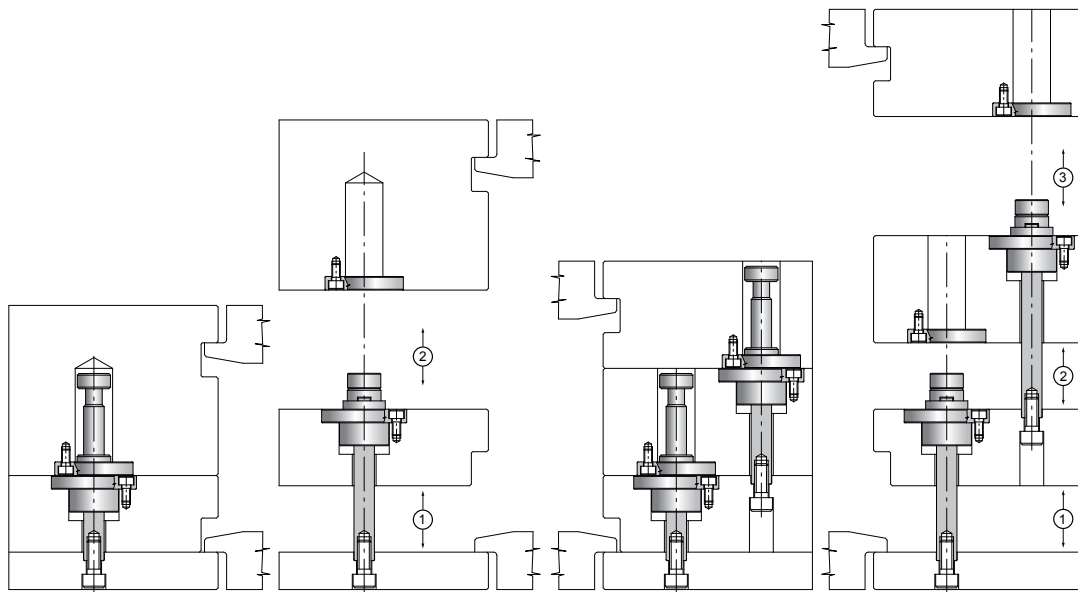
CHARACTERISTICS

1. EASE OF APPLICATION;
2. VERSATILITY OF USE;
3. BLOCKAGE OF THE TRAILED PLATE AFTER UNHOOKING;
4. WITHOUT LIMIT OF STROKE;

IN CASE OF UNCERTAIN APPLICATIONS CONSULT THE CONSTRUCTOR.



EXAMPLES OF APPLICATION



SPECIAL APPLICATION

