

CODE	A	B	C	D	E	F	G	H	L	M	N	P	CH
CA6007	60	97	7	20	28	M16x1	49,6	49,6	46	4	M6	1/8"	18

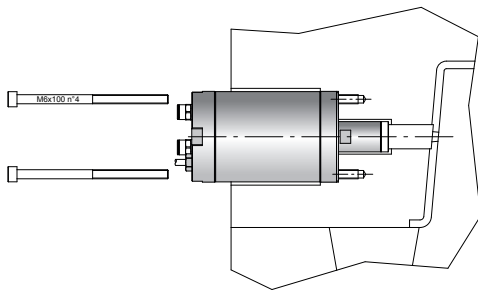
## CHARACTERISTICS

- 1) MECHANICAL LOCKING SYSTEM;
- 2) CAN WORK WITH BOTH AIR AND OIL;
- 3) ROD ORIENTATED AGAINST ROTATION;
- 4) POSSIBILITY OF ADJUSTMENT;
- 5) PIN FOR CYLINDER ORIENTATION;
- 6) EASY TO ASSEMBLY AND DISASSEMBLY;
- 7) INTERNAL INDUCTIVE END STROKE SWITCHES;
- 8) COMPACT DESIGN.

ATTENTION: THE MECHANICAL LOCKING SYSTEM SET IN ONLY AT THE END OF THE STROKE (7mm).

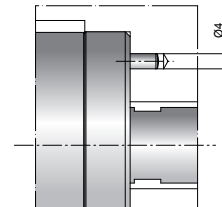
CODE	AIR 6 bar		AIR 12 bar		LOCKING STATIC FORCE	T max
	PUSH	PULL	PUSH	PULL		
CA6007	60 Kgf	50 Kgf	110 Kgf	100 Kgf	800 Kgf	70°C

CODE	OIL 80 bar		LOCKING STATIC FORCE	T max
	PUSH	PULL		
CA6007	750 Kgf	650 Kgf	800 Kgf	70°C



### FIXING

- Fixing performed with four through screws (M6x100 DIN 912 - classe 12.9) makes assembly and disassembly operations easy.

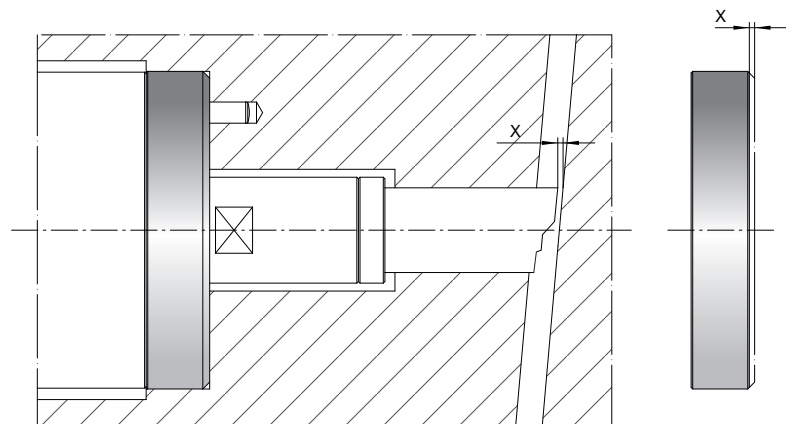


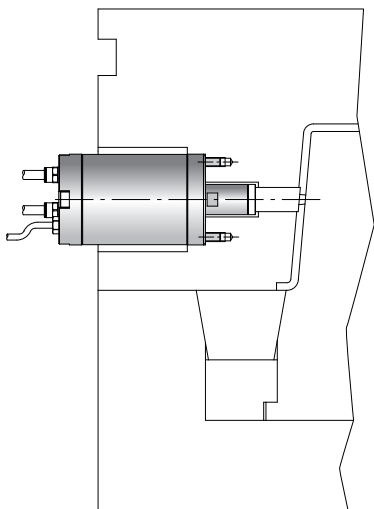
### POSITIONING

- Cylinder orientation is guaranteed with a dowel pin.

### SETTING

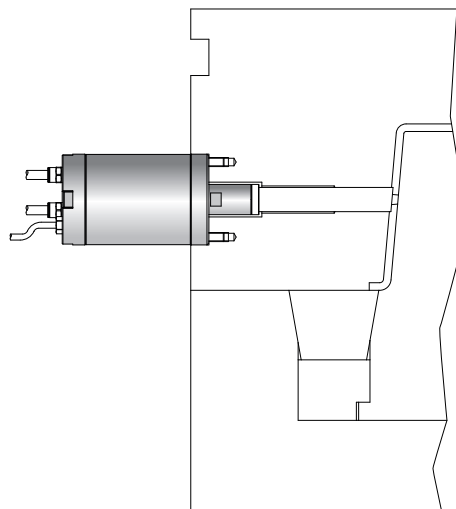
- During adjustment operations it is possible to grind the front surface of the cylinder's flange to set the position of the core.





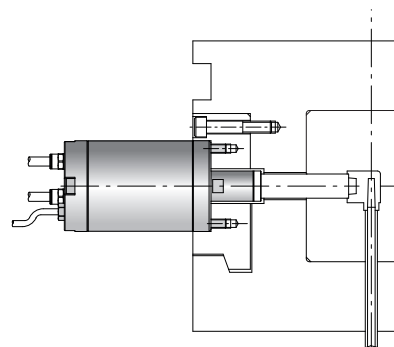
**APPLICATION 1**

- Thanks to the compact design it is possible to embed the cylinder minimizing the mold encumbrance and the core length leading to reduced core thermal expansion.



**APPLICATION 2**

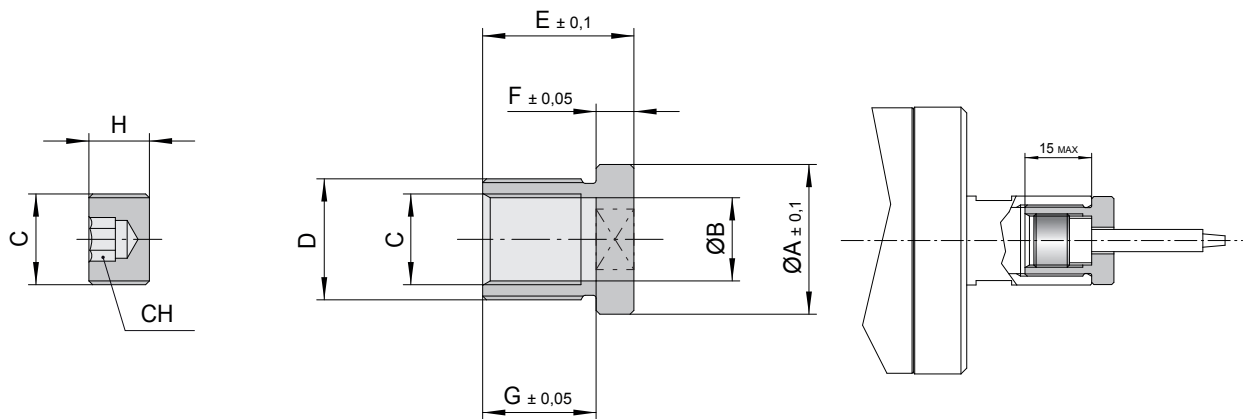
- In case of applications with critical temperatures or limited spaces it is possible to apply the cylinder outside the mold.



**APPLICATION 3**

- It is possible to apply the cylinder at parting line with a special designed flange.

# PIN HOLDING INSERT

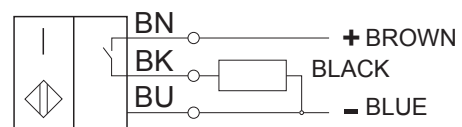
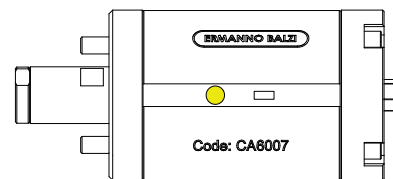


CODE	A	B	C	D	E	F	G	H	CH
IPS-CA60	19,8	11	M12x1	M16x1	20	5	15	8	5

Mat.: 7225. Hardness: 670 HV05  
Nitrided depth 0,1mm.

## SENSORS

CODE	Inductive standard sensor	
CAFI	Contact type	NO
	Operating voltage Ue DC	24.0 V
	Operating voltage range	From 10.0 to 30.0 V
	Operating current	150mA
	Switching freq. f max	3000Hz
	Sensor type	Inductive PNP
	Voltage drop static max	2.5V
	Temperature range	+70°C / -25°C
	Polarity reversal protected	Yes
	Function indicator	Yes
IP rating	IP65	



CODE	Magnetic field sensor PNP	
CAFM	Contact type	NO
	Operating voltage Ue DC	24.0 V
	Operating voltage range	From 10.0 to 30.0 V
	Operating current	200mA
	Switching freq. f max	3000Hz
	Sensor type	Magnetic PNP
	Voltage drop static max	2.5V
	Temperature range	+85°C / -25°C
	Polarity reversal protected	Yes
	Function indicator	Yes
IP rating	IP65	

