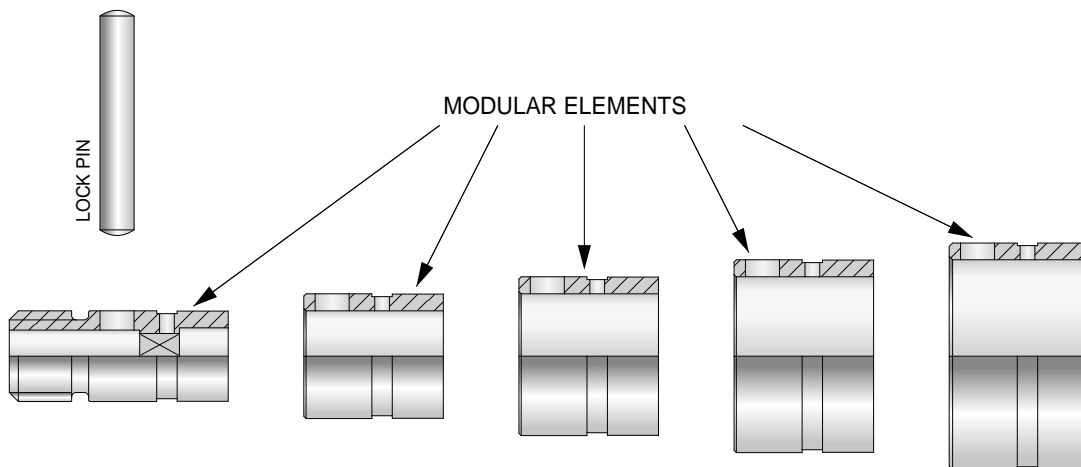


CODE: **ISG-20**



## CHARACTERISTICS

- 1) STAINLESSNESS;
- 2) POSSIBILITY OF FRONT ASSEMBLY AND DISASSEMBLY;
- 3) EASE OF MAINTENANCE (because completely dismountable) ;
- 4) POSSIBILITY OF MODIFYING THE EXTERNAL DIAMETER (removing some parts);
- 5) POSSIBILITY TO SHAPE THE INSERT.
- 6) 0,03 mm GAS BREATHING BETWEEN EACH RING ELEMENT.