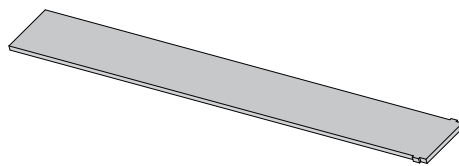
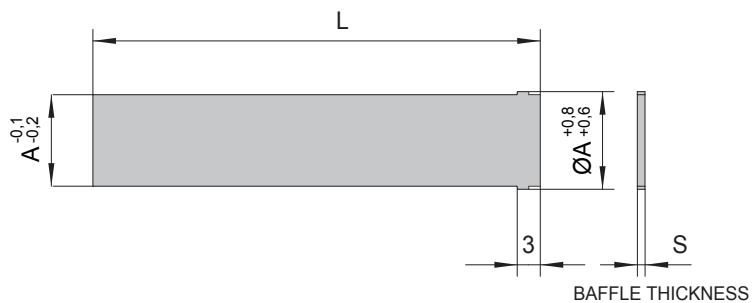


SELF-LOCKING

WITH POSITIONING SYSTEM

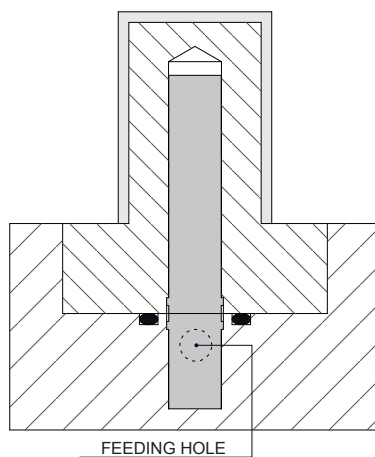


CODE: **RLA-..SM**



CODE	A	S	L		
RLA-6SM	6	1	14	100	200
RLA-8SM	8	1	16	100	200
RLA-10SM	10	1	18	100	200
RLA-12SM	12	1	20	100	200
RLA-14SM	14	1	22	100	200
RLA-16SM	16	1	24	150	300
RLA-20SM	20	1	26	150	300
RLA-25SM	25	1	28	150	300

Order example: RLA-12SMx100

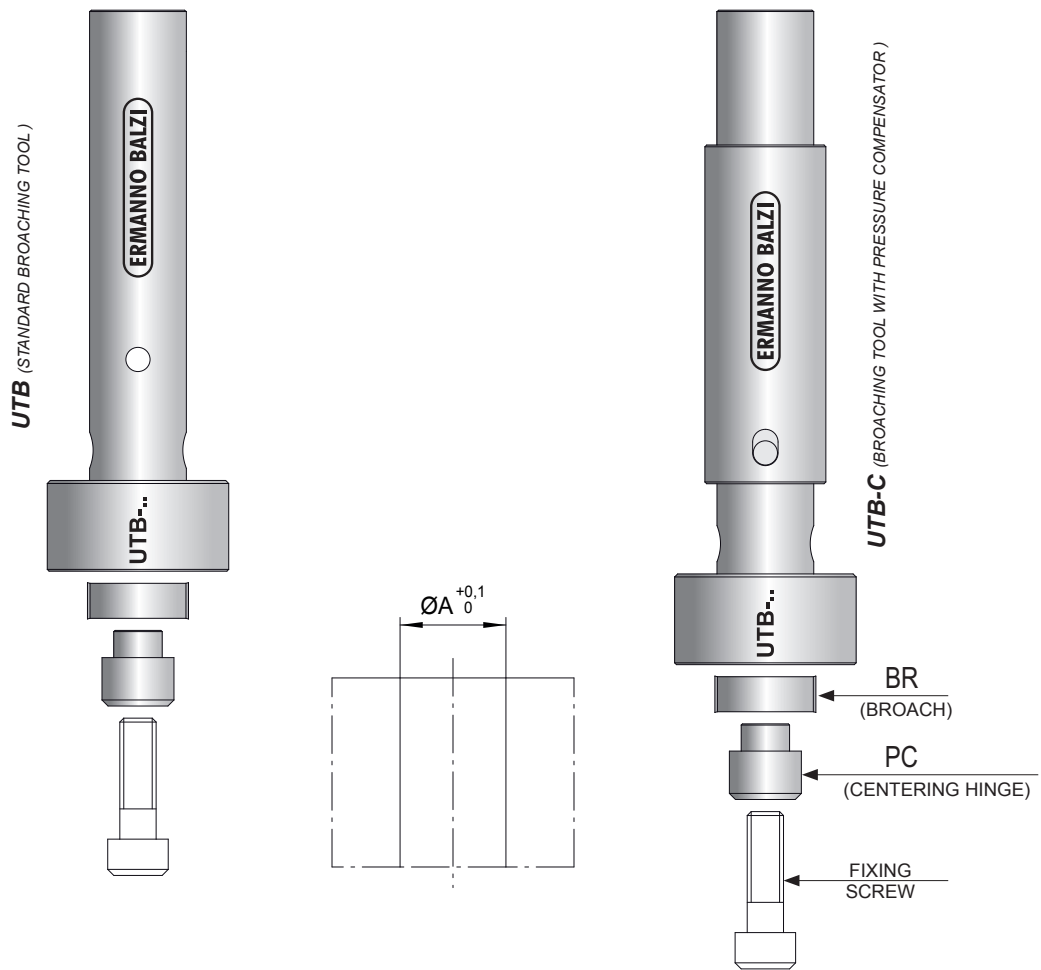


CHARACTERISTICS

- 1) RAPID APPLICATION;
- 2) POSSIBILITY TO REALIZE, WITH THE APPROPRIATE TOOL, A SEATING FOR THE POSITIONING OF THE BAFFLE;
- 3) SECURE POSITIONING EVEN IN CASE OF MAINTENAGE;
- 4) UNLIMITED REUTILIZATION.

N.B.: ALL THE BAFFLES ARE IN STAINLESS STEEL.

TOOLS FOR THE MACHINING OF THE SEAT FOR RLA-SM AND RLA-SM



CODE	A	CENTERING HINGE	BROACH
UTB-0	Ø6	PC-6	BR-6
UTB-0C			

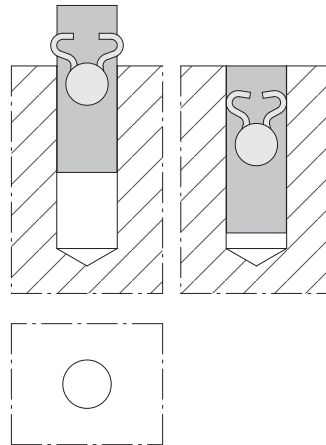
CODE	A	CENTERING HINGE	BROACH
UTB-1	Ø8	PC-8	BR-8
UTB-1C			

CODE	A	CENTERING HINGE	BROACH
UTB-2 UTB-2C	Ø10	PC-10	BR10
	Ø12	PC-12	BR-12
	Ø14	PC-14	BR-14

CODE	A	CENTERING HINGE	BROACH
UTB-3 UTB-3C	Ø16	PC-16	BR16
	Ø20	PC-20	BR-20
	Ø25	PC-25	BR-25
	Ø30	PC-30	BR-30

APPLICATION OF BAFFLES RLA

The standard type **COD. RLA** is inserted in the hole without additional machining and the double spring allows the locking inside the same hole.



APPLICATION OF BAFFLES RLA-SM

REALIZATION OF THE SEAT FOR THE BAFFLES RLA-SM

1. Insert the tool in a normal spindle for drill or of any type.
2. Insert a hinge \varnothing 6 mm on the hole over tool and orientate the insert.
3. Center the hole to machine until the insert rests on the piece.
4. To make the machining, press until the tool UTB rests on the piece, then to return.

Due to small dimension the tool BR-6 can not properly expel the chips produced during the machining.

Because of this reason it is necessary to perform the broaching in two steps:

- to broach for a first stroke ($\sim 1,5$ mm) and step back to help the chip evacuate;
- to complete the broaching.

NB :

it is important that the pressure exercised over tool is carried out in the above described way and not using a hammer or suchlike.

The type without spring **COD. RLA-SM** is inserted in the hole after having realized, with the appropriate tool, a seat in which will be inserted the final part of the baffle.

The advantage in this application is the perfect positioning of the baffle, in case of spin or in depth, and also in the smaller cost of the component, due to the lack of the double spring.

